

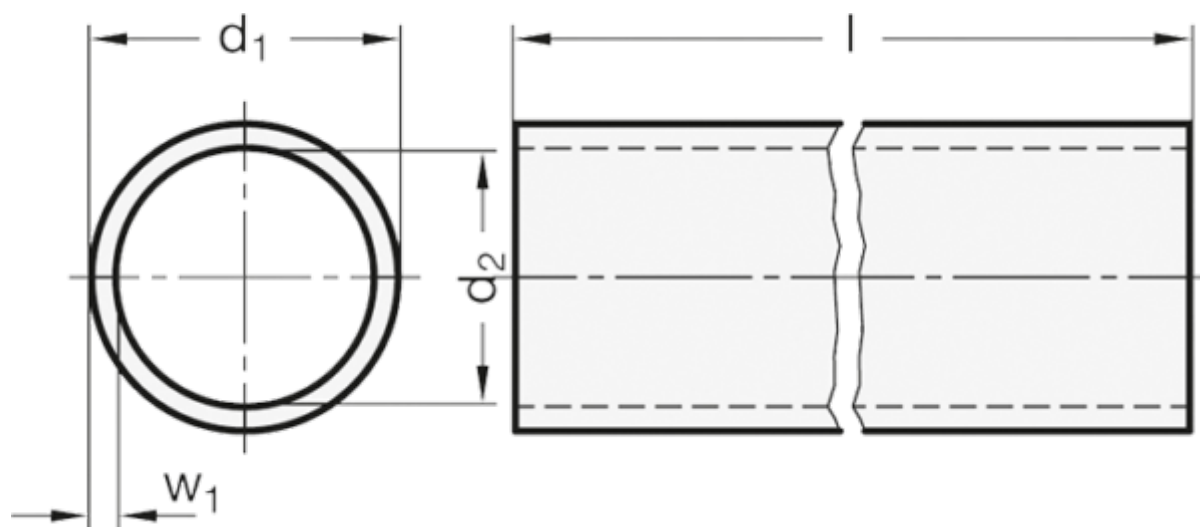
# Data Sheet



Article number: 20990NID401000BL

Description: E+G GN 990 Construction tube round  
GN 990-NI-D40-1000-BL

## Measures



$d_1$  = D40 +0.15/-0.2

$d_2$  = 34

$l \pm 0.5$  = 1000

$w_1$  = 3

Weight in (g) = 2500